

# Grit Separator GRITSEP® DS



## THE BEST SELLING GRIT SEPARATOR

GRITSEP® DS Grit Separators consist of an inclined screw conveyor with a large volume loading and sedimentation hopper including a water inlet and outlet spout, a shaftless screw housed in a trough, a low-friction anti-wear trough liner, a trough cover, an outlet spout for solid particles, and a drive unit mounted at the outlet end.

Water to be cleaned flows through the inlet spout of the GRITSEP® DS Grit Separator into the decanting hopper where sedimentation of solid particles takes place.

Low screw rotation speed improves sedimentation and sees to conveying and discharging of de-watered grit and sand through the upper outlet. Clean water exits through the side discharge spout of the hopper.

### Technical Features

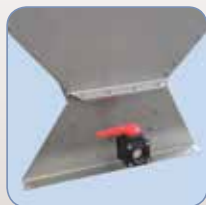
- Hopper manufactured from stainless steel (304L or 316L)
- Shaftless screw made up from sections of heavy-duty spiral, either in wear-resistant carbon steel or stainless steel (304 or 316)
- Trough manufactured from stainless steel and lined with stainless steel bolted wear bars
- Liquid throughput: from 18 m<sup>3</sup>/h up to 130 m<sup>3</sup>/h
- Solids throughput: from 0.22 m<sup>3</sup>/h up to 1.3 m<sup>3</sup>/h
- ATEX GAS II Motors available



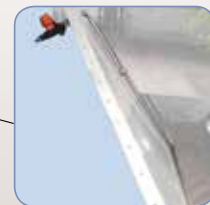
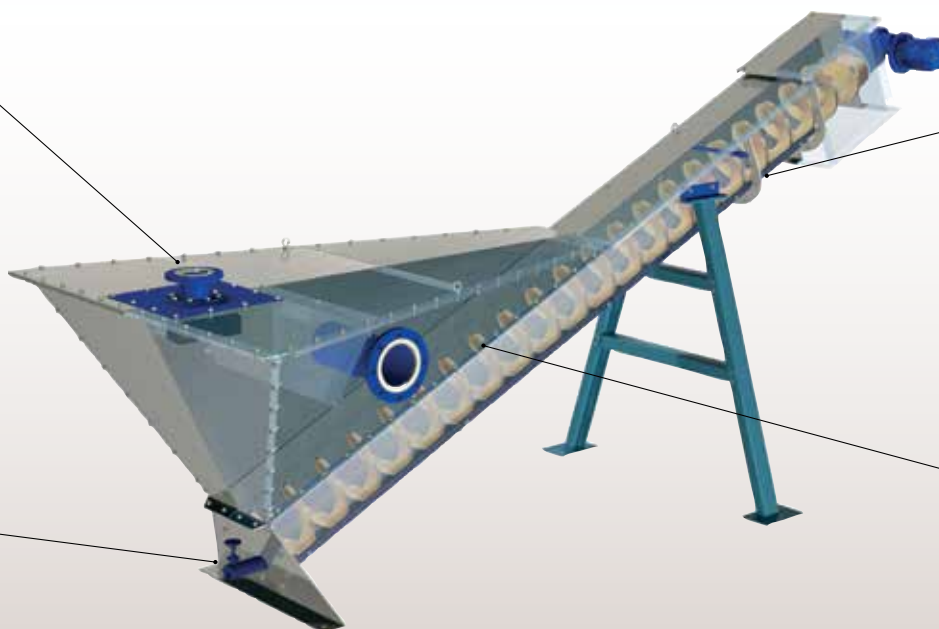
Flow Slowing Device



Sand Washing



Emptying Valve



Air Injection

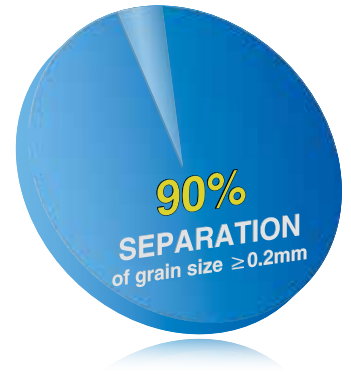
| MODEL   | Flow Rate (m <sup>3</sup> /h) | Installed Power kW | Hopper Capacity (m <sup>3</sup> ) | Average Sand Extraction (dm <sup>3</sup> /s) |
|---------|-------------------------------|--------------------|-----------------------------------|--|
| DS 400  | 18                            | 0.55               | 0.45                              | 0,06   |
| DS 1000 | 30                            | 0.55               | 0.71                              | 0,08   |
| DS 2000 | 80                            | 0.55               | 1.95                              | 0,08   |
| DS 3400 | 100                           | 0.55               | 2.94                              | 0,08   |
| DS 4000 | 130                           | 1,5                | 3,5                               | 0,08   |

ООО «ТИ-СИСТЕМС» ИНЖИНИРИНГ И ПОСТАВКА ТЕХНОЛОГИЧЕСКОГО ОБОРУДОВАНИЯ  
Интернет: [www.tisys.ru](http://www.tisys.ru) [www.tisys.kz](http://www.tisys.kz) [www.tisys.by](http://www.tisys.by) [www.tesec.ru](http://www.tesec.ru) [www.ti-sistems.by](http://www.ti-sistems.by)

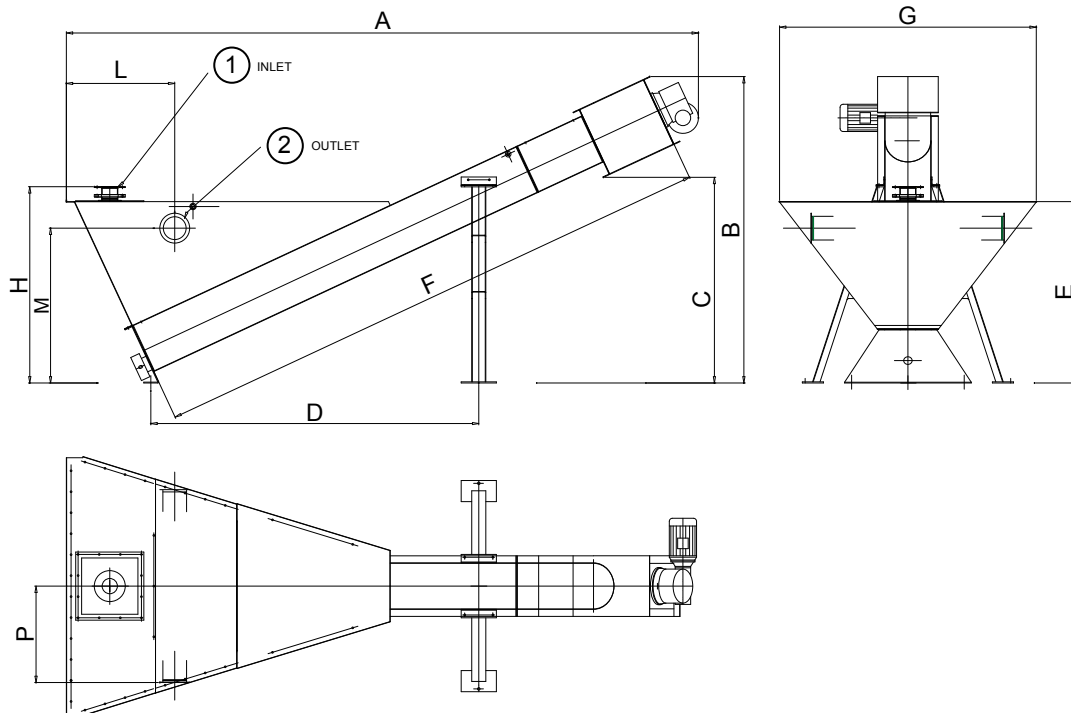
Телефоны: +7 (495) 7774788, 7489626, 5007155, 54 Эл. почта: [info@tisys.ru](mailto:info@tisys.ru) [info@tisys.kz](mailto:info@tisys.kz) [info@tisys.by](mailto:info@tisys.by)

## Benefits

- ✓ High separation performance;
- ✓ Trough liner design facilitates quick and easy replacement;
- ✓ Low installation, operation and maintenance costs.
- ✓ Absence of bearings under liquid level



## Overall Dimensions



| MODEL   | A     | B     | C     | D     | E     | F     | G     | H     | L   | M     | P     | Flange<br>① UNI | Flange<br>② UNI |
|---------|-------|-------|-------|-------|-------|-------|-------|-------|-----|-------|-------|-----------------|-----------------|
| DS 400* | 3,710 | 2,020 | 1,450 | 1,995 | 1,390 | 3,365 | 1,215 | 1,490 | 490 | 1,270 | 650   | DN80PN10        | DN100PN10       |
| DS 1000 | 4,490 | 2,170 | 1,460 | 2,330 | 1,290 | 4,000 | 1,830 | 1,400 | 770 | 1,100 | 685   | DN100PN10       | DN150PN10       |
| DS 2000 | 5,480 | 2,580 | 1,850 | 3,215 | 1,650 | 5,000 | 2,396 | 1,805 | 765 | 1,400 | 980   | DN125PN10       | DN200PN10       |
| DS 3400 | 6,485 | 3,015 | 2,320 | 3,180 | 2,038 | 6,015 | 2,410 | 2,190 | 790 | 1,844 | 1,090 | DN200PN10       | DN250PN10       |
| DS 4000 | 6,590 | 3,090 | 2,370 | 3,960 | 2,180 | 6,015 | 2,510 | 2,330 | 865 | 1,985 | 1,140 | DN400PN10       | 2x DN250PN10    |

\* Transport system in tubular screw

For reference only; for detailed drawings please contact the Manufacturer

Dimensions in mm

## Accessories

- Endless Tube
- Solenoid Valves

- Bag Clamping System

ООО «ТИ СИСТЕМС» ИНЖИНИРИНГ И ПОСТАВКА ТЕХНОЛОГИЧЕСКОГО ОБОРУДОВАНИЯ

Интернет: [www.tisys.ru](http://www.tisys.ru) [www.tisys.kz](http://www.tisys.kz) [www.tisys.by](http://www.tisys.by) [www.tesec.ru](http://www.tesec.ru) [www.ти-системс.рф](http://www.ти-системс.рф)

Телефоны: +7 (495) 7774788, 7489626, 5007155, 54 Эл. почта: [info@tisys.ru](mailto:info@tisys.ru) [info@tisys.kz](mailto:info@tisys.kz) [info@tisys.by](mailto:info@tisys.by)

# Application



203001065 May 2015 Rights reserved to modify technical specifications.



ООО «ТИ-СИСТЕМС» ИНЖИНИРИНГ И ПОСТАВКА ТЕХНОЛОГИЧЕСКОГО ОБОРУДОВАНИЯ

Интернет: [www.tisys.ru](http://www.tisys.ru) [www.tisys.kz](http://www.tisys.kz) [www.tisys.by](http://www.tisys.by) [www.tesec.ru](http://www.tesec.ru) [www.ти-системс.рф](http://www.ти-системс.рф)

Телефоны: +7 (495) 7774788, 7489626, 5007155, 54 Эл. почта: [info@tisys.ru](mailto:info@tisys.ru) [info@tisys.kz](mailto:info@tisys.kz) [info@tisys.by](mailto:info@tisys.by)



[www.wamgroup.com](http://www.wamgroup.com)